

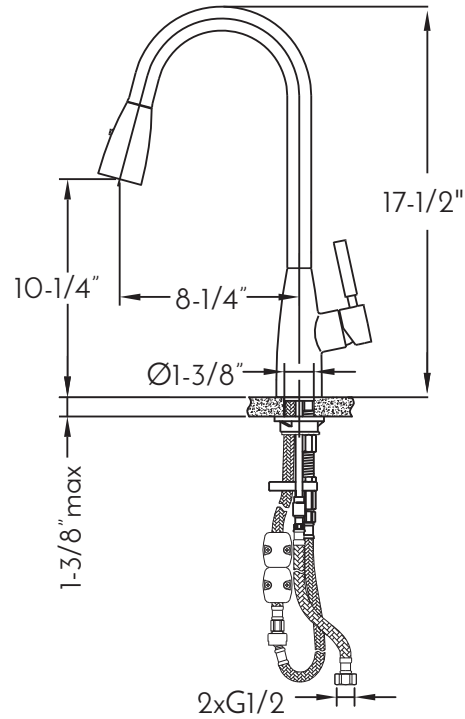


DAX-8782



KITCHEN FAUCETS SERIES





FEATURES

- Pull down shower head
- Chrome finish
- Brass body casting
- Dual sprayer
- ABS shower head
- Ceramic cartridge
- Flow rate 1.8 GPM
- Height 17-1/2"
- Installation hole 1-3/8"
- Water lines and mounting parts included

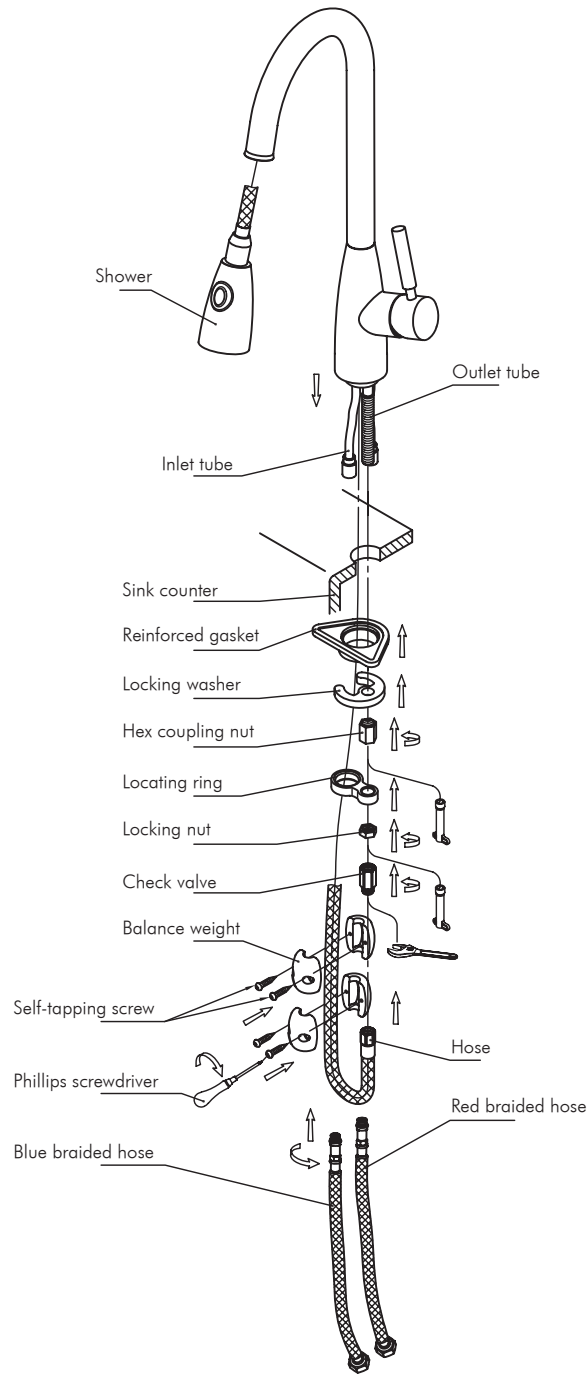




KITCHEN FAUCET DAX-8782

MODEL	DAX-8782
UPC APPROVED	NA
ANSI APPROVED	NA
ASME APPROVED	NA
WATERSENSE CERTIFIED	NA
NSF APPROVED	NA
CONNECTION SIZE	G9/16
FAUCET HOLE SIZE	1-3/8"
FAUCETS HOLE	Single hole
FAUCET TYPE	Nozzle
HANDLE STYLE	Side lever
NUMBER OF HANDLES	1
HEIGHT	17-1/2"
INSTALLATION TYPE	Deck mounted
MATERIAL	Brass
FINISH	Chrome
PULL OUT SPRAY	Nozzle
SIDESPRAY	NA
SPOUT HEIGHT	9-13/16"
SPOUT REACH	8-1/4"
SPOUT SWIVEL	360°
CARTRIDGE TYPE	Ceramic
MAX DECK THICKNESS	2"
INCLUDED COMPONENTS	Mounting parts water lines





INSTALLATION STEPS

1. Take off check valve,locking nut, locating ring,hex coupling nut and locking washer from faucet body in turn.
2. Pass faucet body with hose through the mounting hole of sink counter, install reinforced gasket and locking washer under sink in turn, tighten with hex coupling nut.
3. Undraw a little the inlet tube of faucet body as figure,pass hose through the big hole of locating ring and outlet tube through the small hole, fix with locking nut and screw check valve on.
4. Connect hose with check valve, unscrew self-tapping screw from balance weight, install balance weight at proper position on hose and fix with self-tapping screw.
5. Connect inlet tube and triangle valve with red and blue braided hose according to the mark on inlet tube (**Note: red color for hot water and blue color for cold water**), pull out shower and ensure hose could go through smoothly.
6. Run water to check if the installation is qualified.